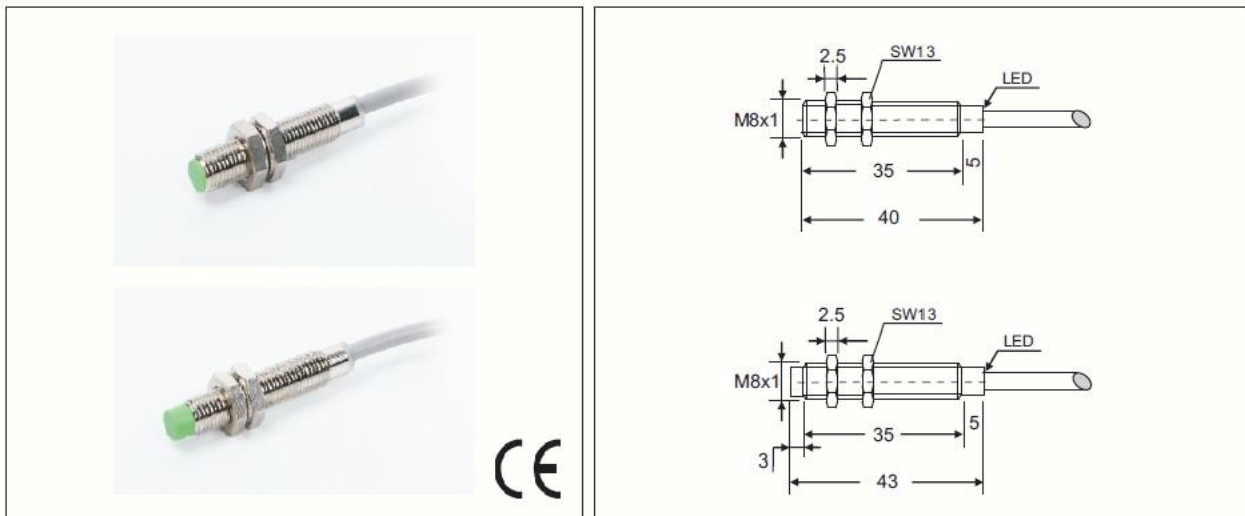


M8 Lead type



Technical parameter

Boundary dimension	M8 * 40	M8 * 40
Install form	Flush mounted	Non-Flush mounted
Detection distance	1.5mm	2mm
Working voltage	DC 10-30V	DC 10-30V
Working current	200mA	200mA
Frequency (HZ)	2000	2000
Protection level	IP67	IP67
Ambient temperature	-25°C~ +70° C	-25°C~ +70° C
Short circuit protection	YES	YES
Polarity protection	YES	YES
Shell material	CuZn-Cr	CuZn-Cr

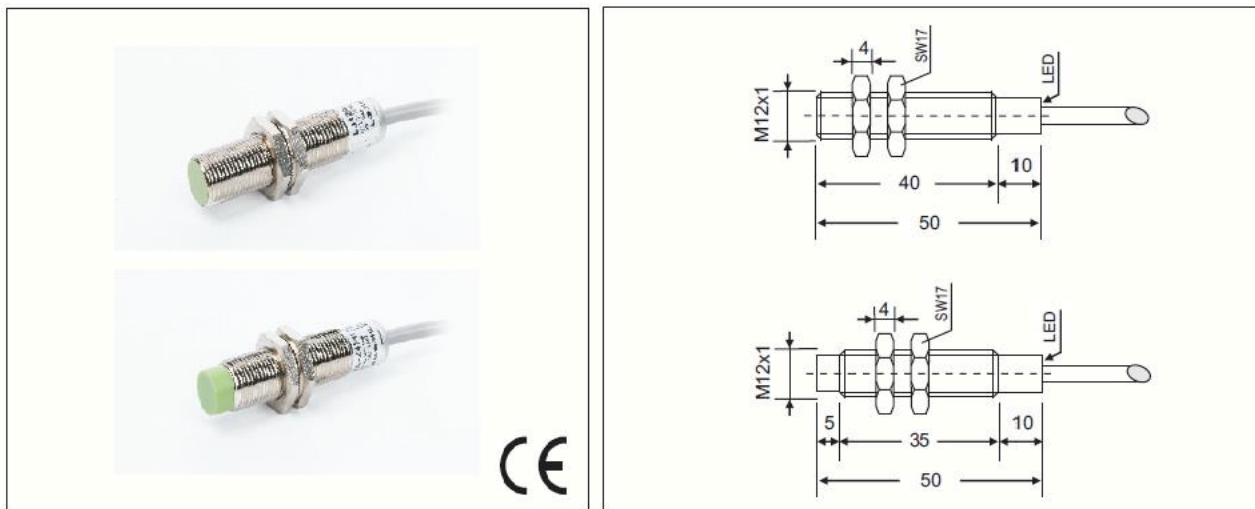
Model selection

AC 2-wire NO
AC 2-wire NC
DC 3-wire NPN NO	TR08-1.5DN	TR08-2DN
DC 3-wire NPN NC	TR08-1.5DN2	TR08-2DN2
DC 3-wire PNP NO	TR08-1.5DP	TR08-2DP
DC 3-wire PNP NC	TR08-1.5DP2	TR08-2DP2

- 1.The above product link form : 2m cable
- 2.Available for non-standard cable length
- 3.See Wiring diagram page

<http://www.tetaelectric.com>

M12 Lead type



Technical parameter

Boundary dimension	M12 * 50	M12 * 45
Install form	Flush mounted	Non-Flush mounted
Detection distance	2mm	4mm
Working voltage	DC :10-30V . AC :20-250V	DC :10-30V . AC :20-250V
Working current	DC : 200mA, AC:400mA	DC : 200mA, AC:400mA
Frequency (HZ)	DC:1500 . AC:50	DC:1000 . AC:30
Protection level	IP67	IP67
Ambient temperature	-25°C~ +70° C	-25°C~ +70° C
Short circuit protection	YES	YES
Polarity protection	YES	YES
Shell material	CuZn-Cr	CuZn-Cr

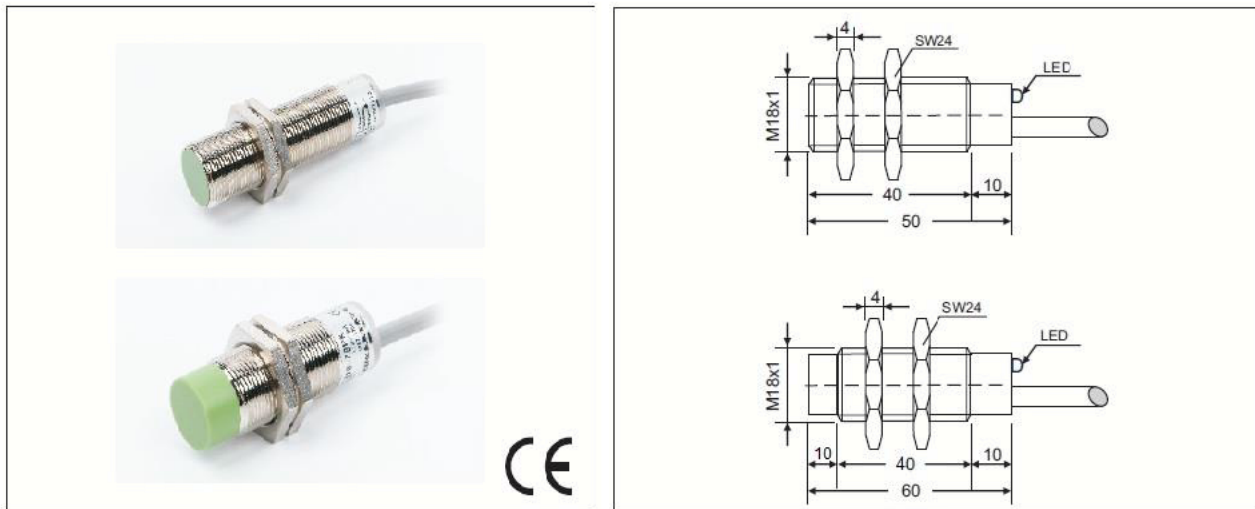
Model selection

AC 2-wire NO	TR12-2AO	TR12-4AO
AC 2-wire NC	TR12-2AC	TR12-4AC
DC 3-wire NPN NO	TR12-2DN	TR12-4DN
DC 3-wire NPN NC	TR12-2DN2	TR12-4DN2
DC 3-wire PNP NO	TR12-2DP	TR12-4DP
DC 3-wire PNP NC	TR12-2DP2	TR12-4DP2

- 1.The above product link form : 2m cable
- 2.Available for non-standard cable length
- 3.See Wiring diagram page

<http://www.tetaelectric.com>

M18 Lead type



Technical parameter

Boundary dimension	M18 * 50	M18 * 50
Install form	Flush mounted	Non-Flush mounted
Detection distance	5mm	8mm
Working voltage	DC :10-30V . AC :20-250V	DC :10-30V . AC :20-250V
Working current	DC : 200mA, AC:400mA	DC : 200mA, AC:400mA
Frequencv (HZ)	DC:1000 . AC:40	DC:800 . AC:35
Protection level	IP67	IP67
Ambient temperature	-25°C~ +70° C	-25°C~ +70° C
Short circuit protection	YES	YES
Polarity protection	YES	YES
Shell material	CuZn-Cr	CuZn-Cr

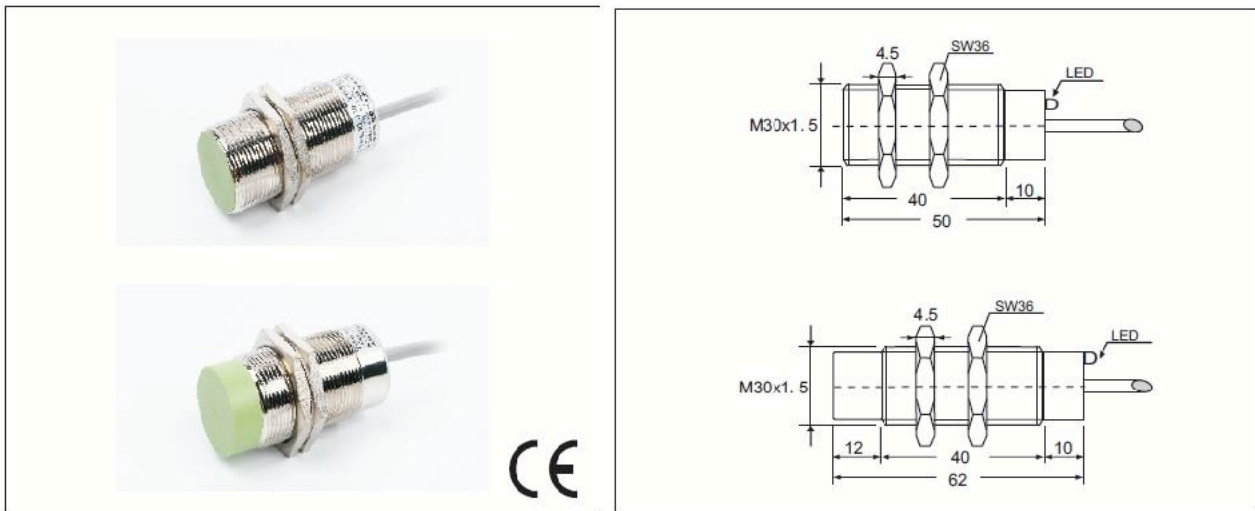
Model selection

AC 2-wire NO	TR18-5AO	TR18-8AO
AC 2-wire NC	TR18-5AC	TR18-8AC
DC 3-wire NPN NO	TR18-5DN	TR18-8DN
DC 3-wire NPN NC	TR18-5DN2	TR18-8DN2
DC 3-wire PNP NO	TR18-5DP	TR18-8DP
DC 3-wire PNP NC	TR18-5DP2	TR18-8DP2

- 1.The above product link form : 2m cable
- 2.Available for non-standard cable length
- 3.See Wiring diagram page

<http://www.tetaelectric.com>

M30 Lead type



Technical parameter

Boundary dimension	M30 * 50	M30 * 50
Install form	Flush mounted	Non-Flush mounted
Detection distance	10mm	15mm
Working voltage	DC :10-30V . AC :20-250V	DC :10-30V . AC :20-250V
Working current	DC : 200mA, AC:400mA	DC : 200mA, AC:400mA
Frequency (HZ)	DC:500 . AC:30	DC:400 . AC:30
Protection level	IP67	IP67
Ambient temperature	-25°C- +70° C	-25°C- +70° C
Short circuit protection	YES	YES
Polarity protection	YES	YES
Shell material	CuZn-Cr	CuZn-Cr

Model selection

AC 2-wire NO	TR30-10AO	TR30-15AO
AC 2-wire NC	TR30-10AC	TR30-15AC
DC 3-wire NPN NO	TR30-10DN	TR30-15DN
DC 3-wire NPN NC	TR30-10DN2	TR30-15DN2
DC 3-wire PNP NO	TR30-10DP	TR30-15DP
DC 3-wire PNP NC	TR30-10DP2	TR30-15DP2

- 1.The above product link form : 2m cable
- 2.Available for non-standard cable length
- 3.See Wiring diagram page

<http://www.tetaelectric.com>